

The WCLA series is a decorative all-purpose wraparound luminaire ideal for schools, hospitals, retail and commercial buildings

Features and Specifications:

Construction:

- Durable steel body die-formed from code gauge cold rolled steel
- One piece extruded frosted acrylic lens
- Suitable for installation within a clothes closet storage space

Size Options:

- Available in 4' length (nominal)

Listing & Ratings:

- All electrical components are U.L. listed or recognized
- All fixtures are U.L. Certified

Mounting Options:

- Surface or pendant mount

Driver:

- Universal voltage 120-277V standard (18, 28 or 44W Field adjustable)
- Field adjustable CCT (3500k-5000k) and Lumen output (3 levels)
- 0-10V Dimming to 10% standard

Warranty:

- 5 years - part replacement only (see our terms & conditions page at www.lamarled.com for details)

See page 2 for dimensions and performance specifications

WCLA wraparound curved LED



Ordering Guide / Example

WCL48A

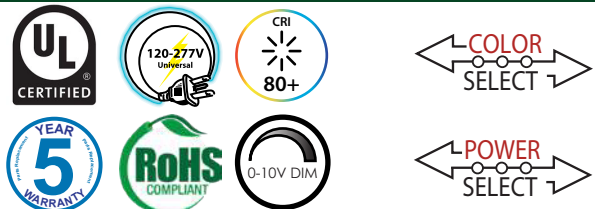
WCL	48	A	
Series	Size	CCT/Power	General Options
WCL = Wraparound	48 = 4' nominal	Adjustable CCT: 3500, 4000 or 5000K Adjustable power: 18, 28 or 44W	EM5 = Emergency pack >90 min., >500 lumens EM12 = Emergency pack >90 min., >1400 lumens

Consult factory for additional options not shown or listed Correlated Color Temperatures (CCTs) fall within the nominal range as per ANSI C78.377A
Consult factory for optional Bluetooth™ mesh wireless system, with features such as high-end trim, grouping, occupancy/vacancy sensing, and scheduling.

Project Information:

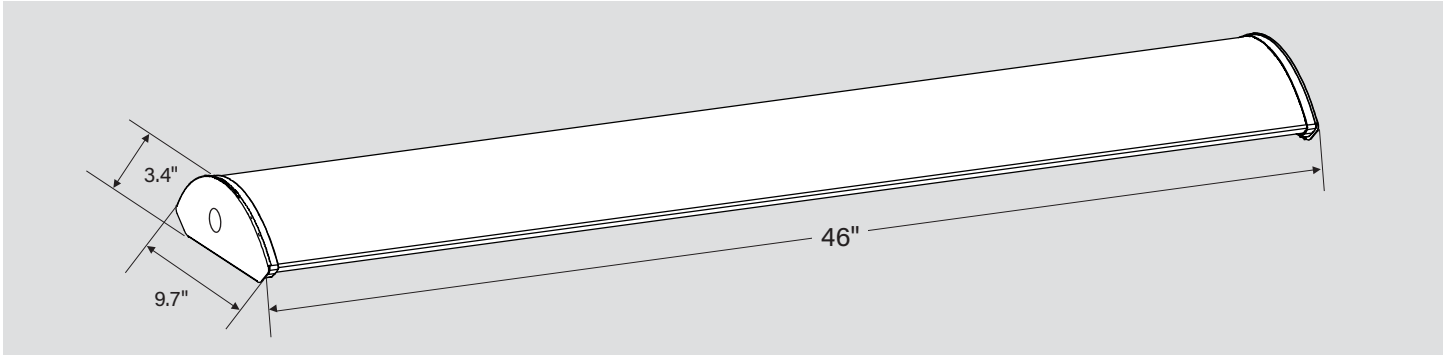
Job Name: _____ Fixture Type: _____
 Catalog #: _____ Date: _____
 Comments: _____

Certification & Listings:



BEFORE INSTALLATION, PLEASE CONSULT YOUR LOCAL ORDINANCES AND BUILDING CODES FOR COMPLIANCE

Dimensions



Performance Specifications

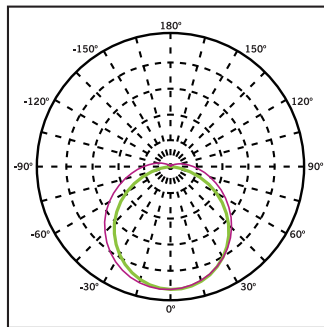
Maximum Candela = 1846.0
Located at Horizontal Angle = 0,
Vertical Angle 0

- Violet** Vertical Plane through Horizontal Angles (90-270)
- Green** Vertical Plane through Horizontal Angles (0-180)

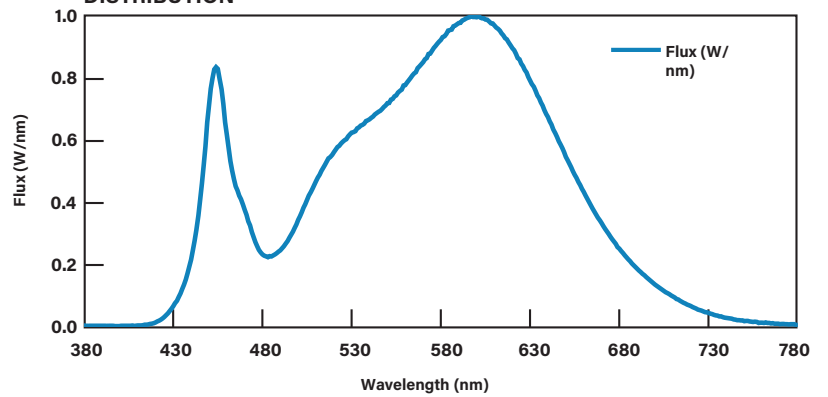
Beam Angle: 220°

Visible Light Area: 325°

POLAR CANDELA DISTRIBUTION



RELATIVE SPECTRAL POWER DISTRIBUTION



Catalog Number	Input Voltage	Wattage	Color Temperature	Lumen Output	Efficacy	CRI	Power Factor	Lifetime
WCL48A	120-277V	44W	3500K	5,984	136 lm/W	> 80	> 0.90	50,000hrs
			4000K	6,072	138 lm/W			
			5000K	6,116	139 lm/W			
		28W	3500K	4,004	143 lm/W			
			4000K	4,032	144 lm/W			
			5000K	4,060	145 lm/W			
		18W	3500K	2,628	146 lm/W			
			4000K	2,646	147 lm/W			
			5000K	2,664	148 lm/W			

LAMAR LED assumes no responsibility for misapplication of fixtures

Due to the rapid advancements in LED technology, please consult our website for the most current technical data.

Specifications subject to change without notice - Rev 0304