

The CDL series is a decorative dome luminaire ideal for hallways, kitchen areas or dorm rooms

CDL circline dome LED



Features and Specifications:

Construction:

- One piece die-formed cold rolled steel housing
- Low profile, frosted acrylic dome-style diffuser
- Optional high frequency motion sensor (completely enclosed) available on 14" models

Size Options:

- Available in 11" and 14" sizes

Listing & Ratings:

- All electrical components are U.L. listed or recognized
- All fixtures are U.L. Certified for Damp locations and Union made in the USA
- Meets ADA requirements for wall mounting
- Optional BABA compliant construction



Mounting Options:

- Surface mount indoor use only

Driver & LEDs:

- Universal voltage 120-277V standard
- Field adjustable CCT (3000k through 5000k) and Lumen output 0-10v
- Dimming to 10% standard

Warranty:

- 5 years - part replacement only (see our terms & conditions page at www.lamarled.com for details)
- See page 2 for lumen chart & dimensions

Ordering Guide / Example

CDL14A

CDL		A		
Series	Size			General Options
CDL = Circline round dome	11 = 11" 14 = 14"	Adjustable CCT and Output	Field adjustable CCT 3000k through 5000k Field adjustable output 2100-3200 board lumens, 13.5W-20.5W	CEM = Emergency pack >90 min., >500 lumens - add 2 1/8" to overall height (higher output & run time available - consult factory) HF = High frequency occupancy sensor adjustable on/off (internal) HFAS = High frequency occupancy sensor adjustable standby 10, 20, 30 or 50% TP = Tamper-proof screws BC = BABA Compliant construction

Consult factory for additional options not shown or listed
Daylight hold off function will be factory disabled on all bi-level models

Correlated Color Temperatures (CCTs) fall within the nominal range as per ANSI C78.377A
****HF/HFAS option not available in 11" size**

Project Information:

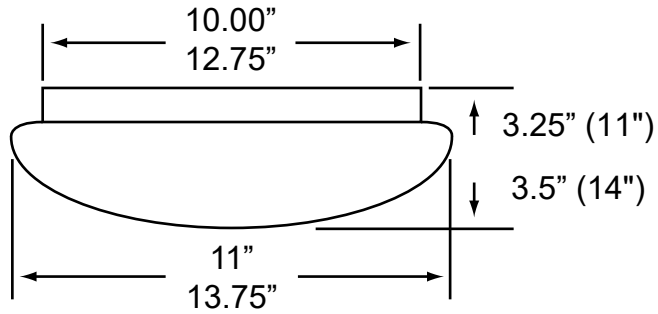
Job Name: _____ Fixture Type: _____
 Catalog #: _____ Date: _____
 Comments: _____

Certification & Listings:



BEFORE INSTALLATION, PLEASE CONSULT YOUR LOCAL ORDINANCES AND BUILDING CODES FOR COMPLIANCE

Dimensions



LED Lumen/Wattage Chart

13.5W	3500K	1757Lu
	4000K	1810Lu
	5000K	1827Lu
17W	3500K	2213Lu
	4000K	2279Lu
	5000K	2302Lu
20.5W	3500K	2668Lu
	4000K	2748Lu
	5000K	2775Lu

When used in draft prone areas, fixtures with high frequency sensors should be rigidly mounted

High frequency motion sensors can detect motion through many materials

including glass, sheet rock walls, wood doors and the lens of a fixture,

enabling the sensor to be hidden from view in most cases - consult factory

to see if an HF sensor is the right fit for your application

LAMAR LED assumes no responsibility for misapplication of fixtures

Due to the rapid advancements in LED technology, please consult our website for the most current technical data.

Specifications subject to change without notice - Rev 0326