



# LINEAR LIGHTING SYSTEM

The LLS is a universal linear lighting system built for every application: recessed, cove, perimeter, and surface.

Field-adjustable, contractor-friendly, and crafted in the USA.

**ENGINEERED FOR PERFORMANCE.  
DESIGNED FOR POSSIBILITY.**



**SCAN TO LEARN  
MORE ABOUT LLS**

COVE



PERIMETER



RECESSED



SURFACE



# FEATURES



## EASE OF INSTALLATION

- ➔ Contractor-friendly design for simplicity and efficiency.
  - Precision-fabricated steel housing requires no field cutting.
  - Suitable for (IC) insulated ceiling installation (low & med power only).
- ➔ Plug-and-play wiring for continuous runs.



## HIGH PERFORMANCE

- ➔ Designed to deliver exceptional light quality across every installation. The frosted acrylic diffuser achieves over 85% light transmission, available in regress or snap-on flush mount profiles. Continuous roll lens options are also available. Uniform illumination from end to end means zero dark spots and consistent light levels throughout, in any room, at any scale.
- ➔ Power options to suit every project:
  - Low Power: 400 lm/ft, 3.6 W/ft
  - High Power: 750 lm/ft, 7.0 W/ft
  - Med Power: 500 lm/ft, 4.6 W/ft
  - Custom output options available (consult factory)

Based on a 4ft luminaire using one driver with MCT boards.



## ADJUSTABILITY

- ➔ No two projects are the same, and the LLS is built with that in mind.
  - The field-adjustable expansion module telescopes from 1" to 22", ensuring a seamless fit without cutting a single fixture on site.
  - Field-adjustable corners up to 330 degrees, giving designers the freedom to work with any ceiling geometry, cove profile, or perimeter layout.



## INSIDE & OUTSIDE CORNERS

- ➔ Fully illuminated inside and outside corners maintain continuous, uninterrupted light at every turn.
- ➔ Choose from standard 90-degree corners, custom fixed angles, or field adjustable modules, all color-matched to the rest of the run.



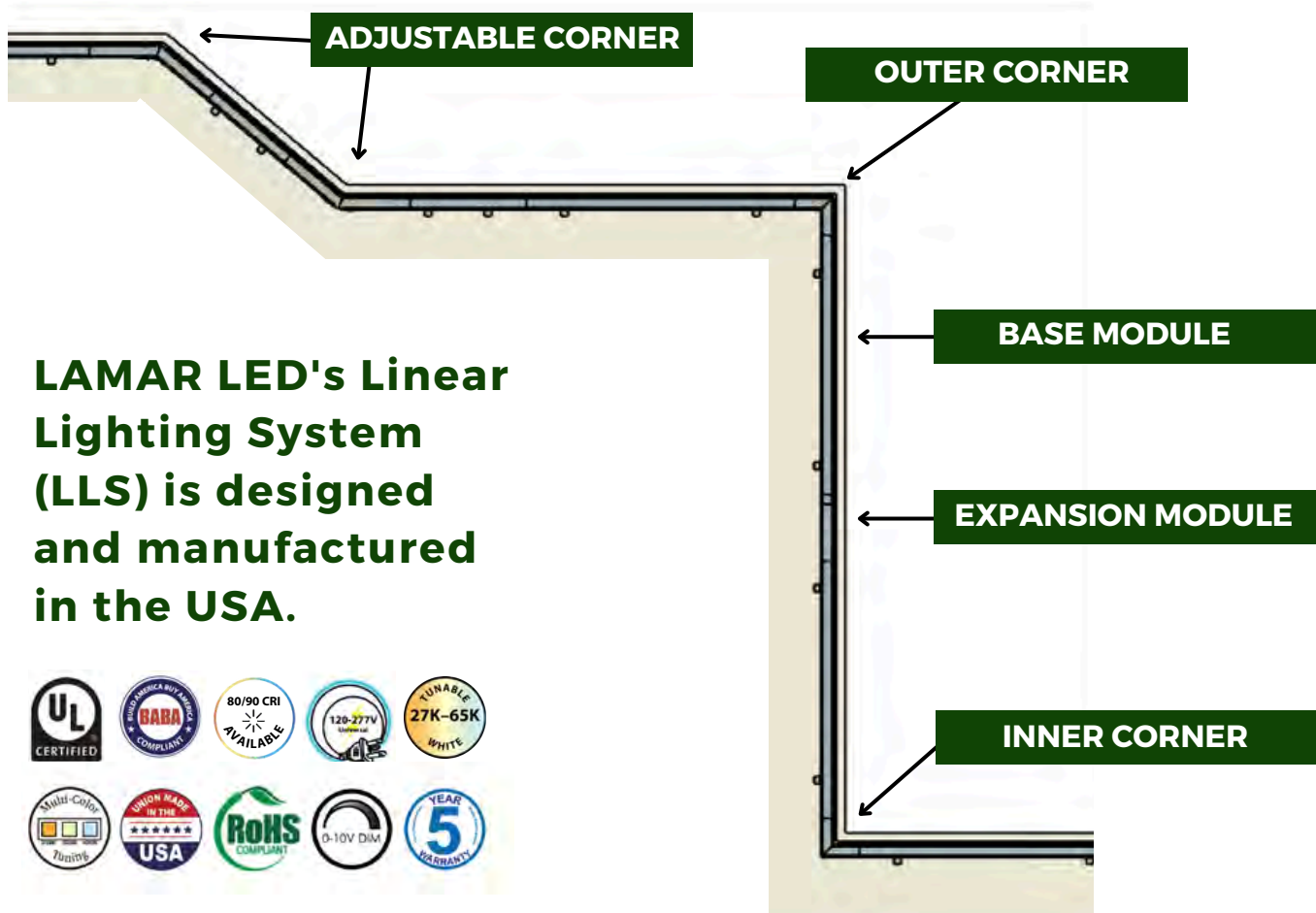
## TUNABILITY

- ➔ Field-selectable color temperature lets contractors dial in the right ambiance on site without pre-ordering.
  - Field select at 3000K, 3500K, or 4000K.
  - Optional tunable white ranges from 2700K to 6500K for full lighting control.



The LLS delivers the look of extruded aluminum without sacrificing performance, at a fraction of the cost. Precision fabricated from cold rolled steel and built in the USA.

Architects demand beauty. Contractors demand ease. Owners demand value. The LLS was engineered to satisfy all three. From clean continuous cove lighting to bold recessed perimeter designs, every component is expertly crafted and plug-and-play ready, so projects stay on schedule and on budget without compromising the design vision.



**LAMAR LED's Linear Lighting System (LLS) is designed and manufactured in the USA.**



## LLSB BASE MODULE

- Nominal Lengths: 2', 3', 4', 6,' and 8'
- Widths: 2.5", 4", 6" or custom
- Power: Low, Medium, and High; Custom options available (consult factory)
- Field Selectable CCT: 3000K, 3500K, or 4000K
- Tuneable White 2700K-6500K (Min QTY Applies)
- Standard 0-10V, Optional Dim to Dark
- Standard 80 CRI, Optional 90 CRI
- Flush snap-in lens option for acrylic lens, continuous roll lens, or continuous roll lens with glare control

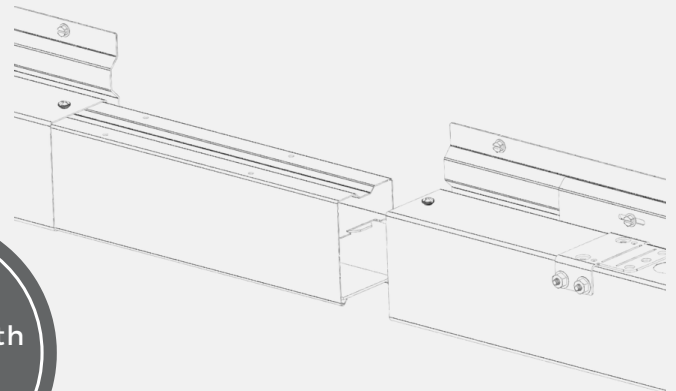


## EXPANSION MODULE



**EXPAND 1 TO 22 INCHES  
FOR CONTINUOUS RUNS**

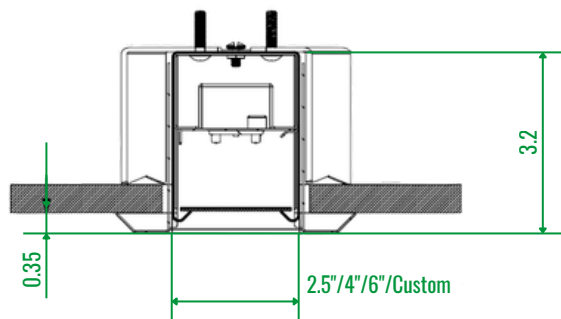
Get any  
custom length  
down to  
1 inch



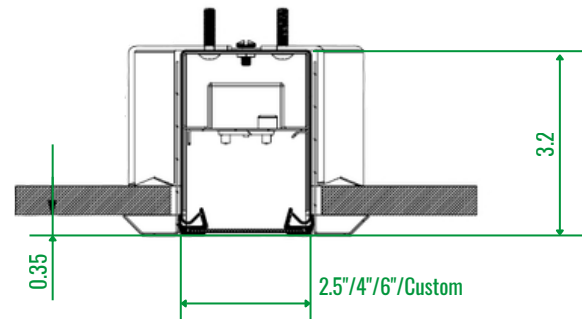
## RECESSED LENS OPTIONS

Have freedom in the field with this easy-to-install expansion module and lens solutions that eliminate the need to cut any fixtures on site.

### LIFT & SHIFT LENS



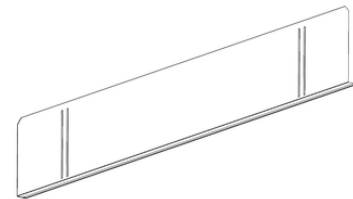
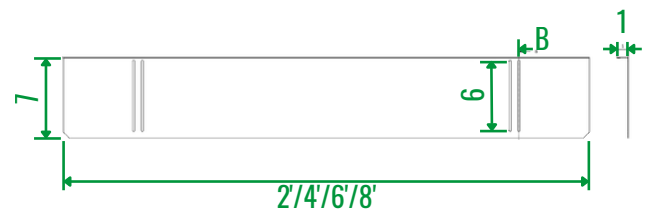
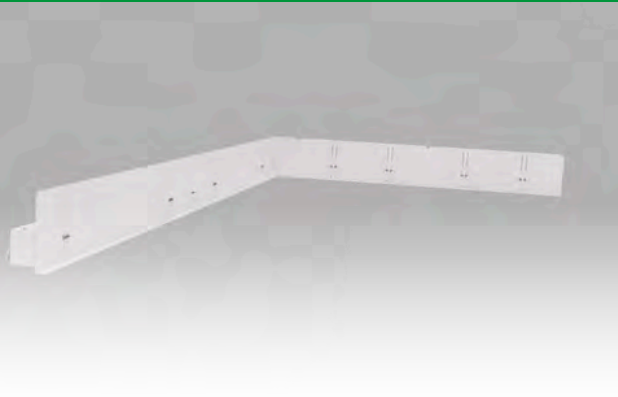
### SNAP-ON LENS



# PERIMETER ACCESSORIES

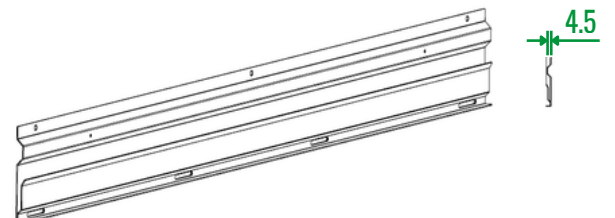
- Wallwash Reflector
- Wall Graze Reflector
- Grid Clips
- Flange and Spackle-Flange

## PERIMETER SKIRT ADJUSTABLE UP TO 6"



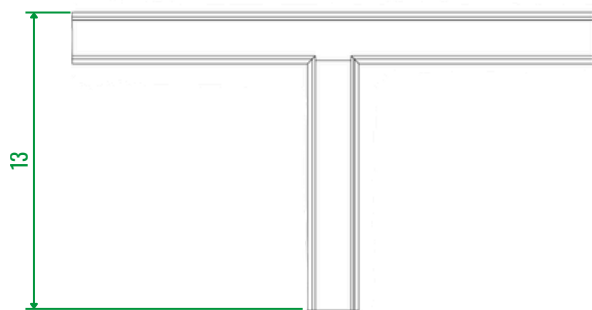
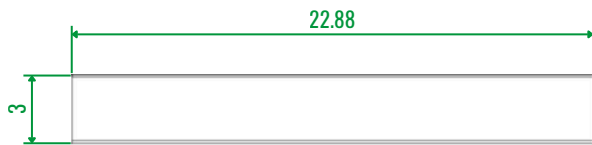
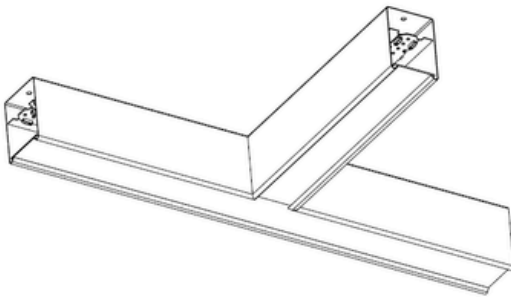
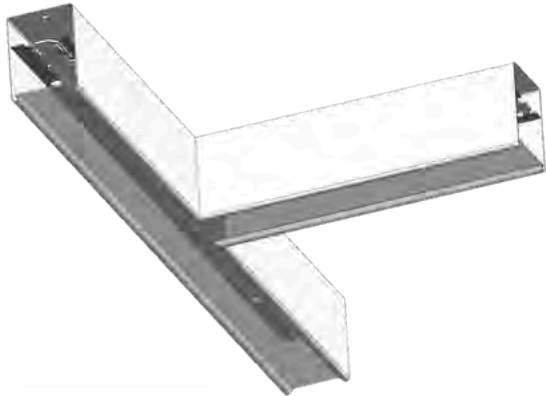
Perimeter accessories consist of French Cleat wall mounting brackets and outer skirt panel.

## WALL BRACKET

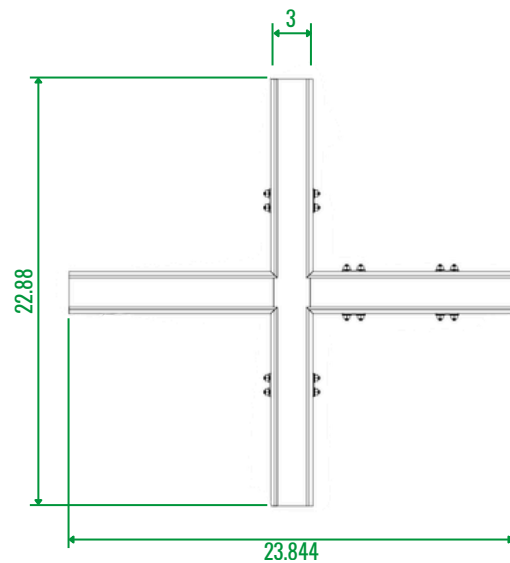
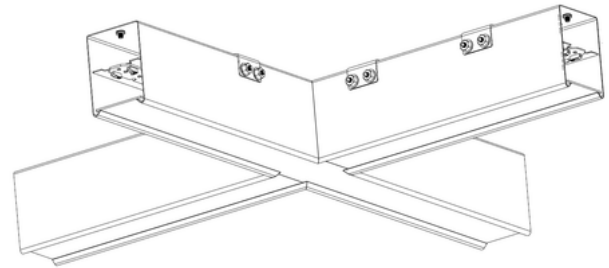
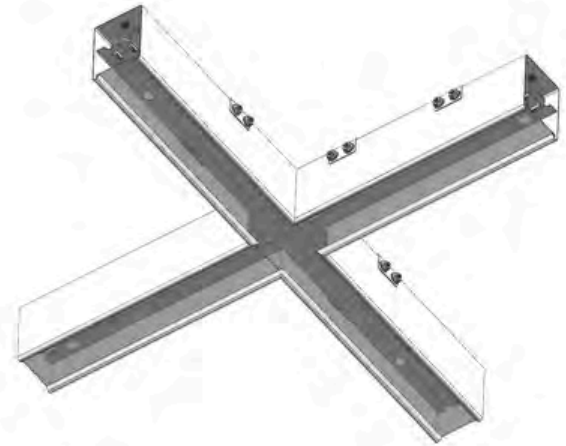


# SHAPES FOR INTERSECTIONS

## T-MODULE



## CROSS MODULE

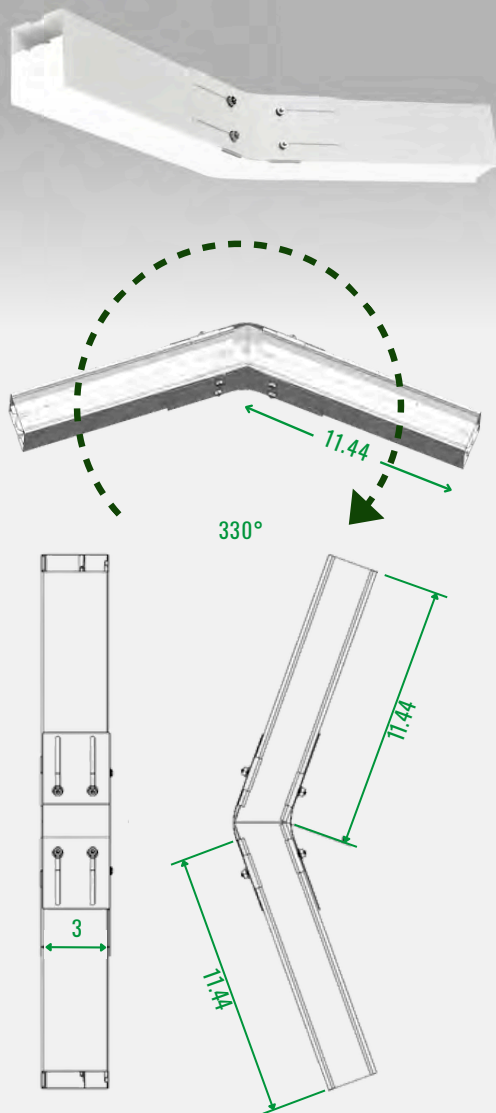


# CORNER MODULES

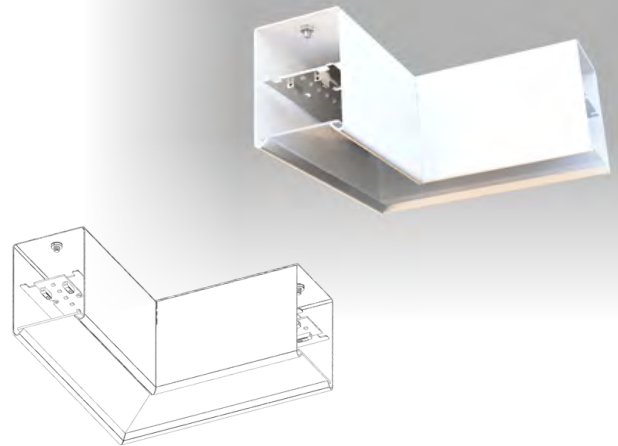
Our fully lit inside and outside corners allow for clean continuous light with Multicolor tuning LED boards to match the CCT of the run.



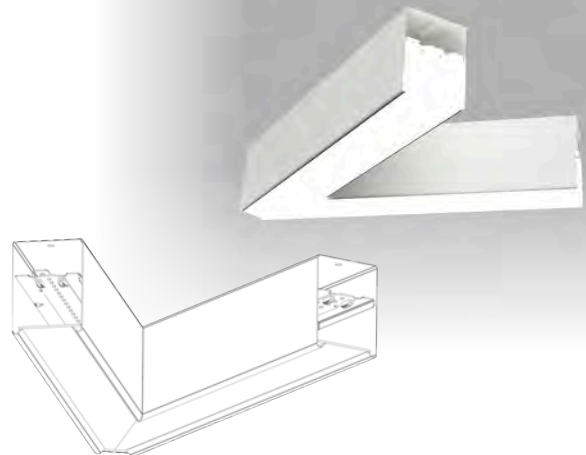
## FIELD ADJUSTABLE CORNER MODULE



## STANDARD 90° CORNER MODULE



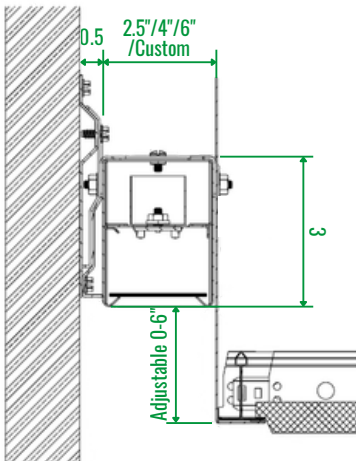
## CUSTOM FIXED CORNER MODULE



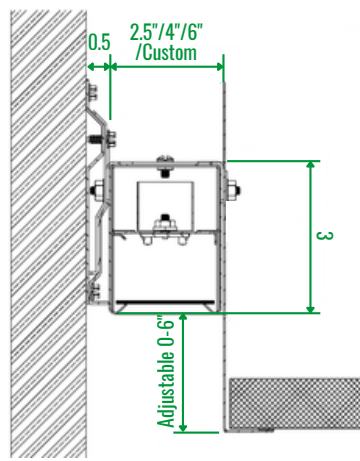
# CEILING TYPES

## GRID / T-BAR

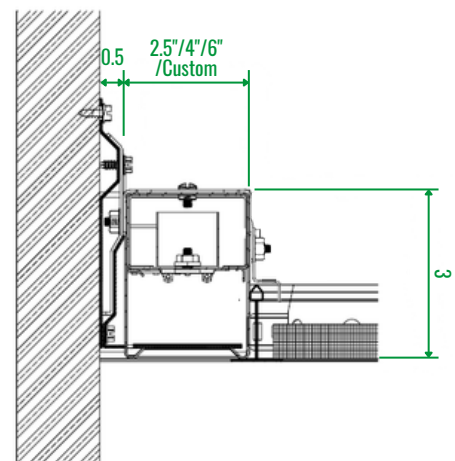
**ADJUSTABLE SKIRT T-TEGULAR**



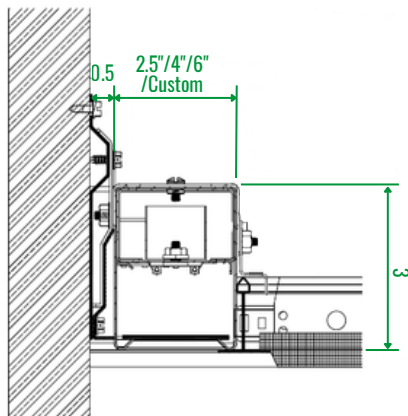
**ADJUSTABLE SKIRT T-BAR**



**RECESSED PERIMETER T-BAR**

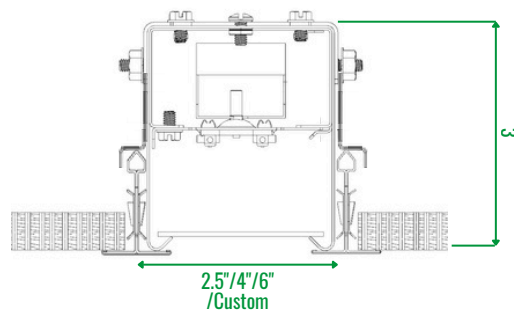


**RECESSED PERIMETER T-TEGULAR**



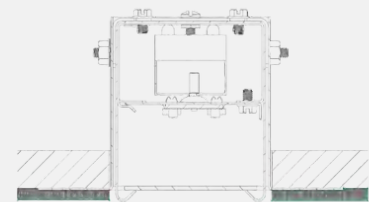
**Adapts to all ceiling types.**

**RECESSED T-BAR**

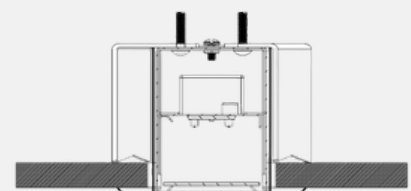


## GYP SUM CEILING

**SPACKLE-FLANGE**



**VISIBLE-FLANGE**



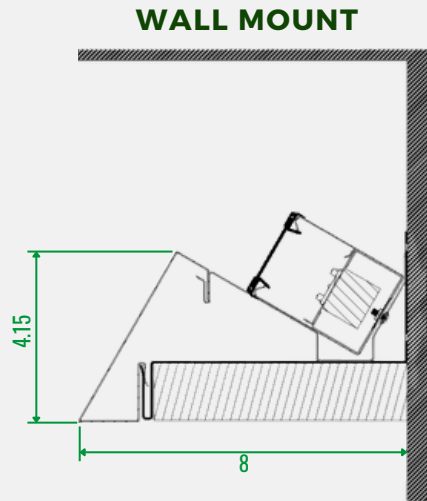
# COVE SOLUTIONS

**CREATE A COST  
EFFECTIVE COVE**

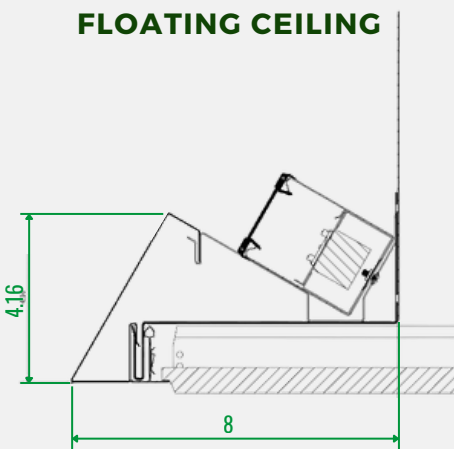
**OR**

**USE IN A PRE-BUILT COVE  
WITH OUR BRACKET SYSTEM**

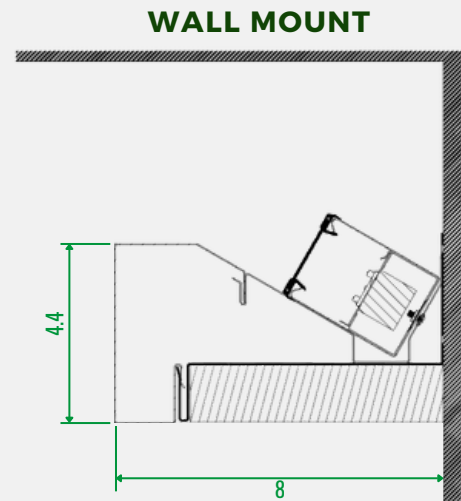
## KNIFE EDGE



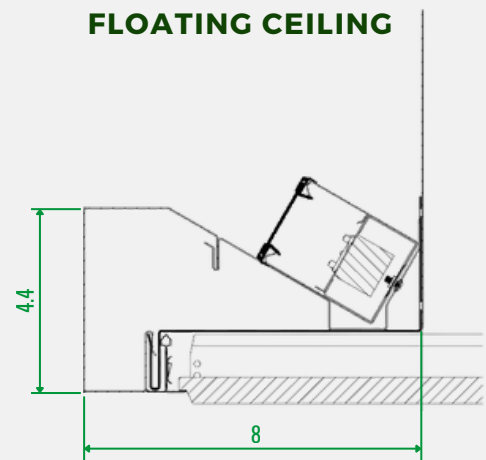
## SUSPENDED/ FLOATING CEILING



## STRAIGHT EDGE



## SUSPENDED / FLOATING CEILING

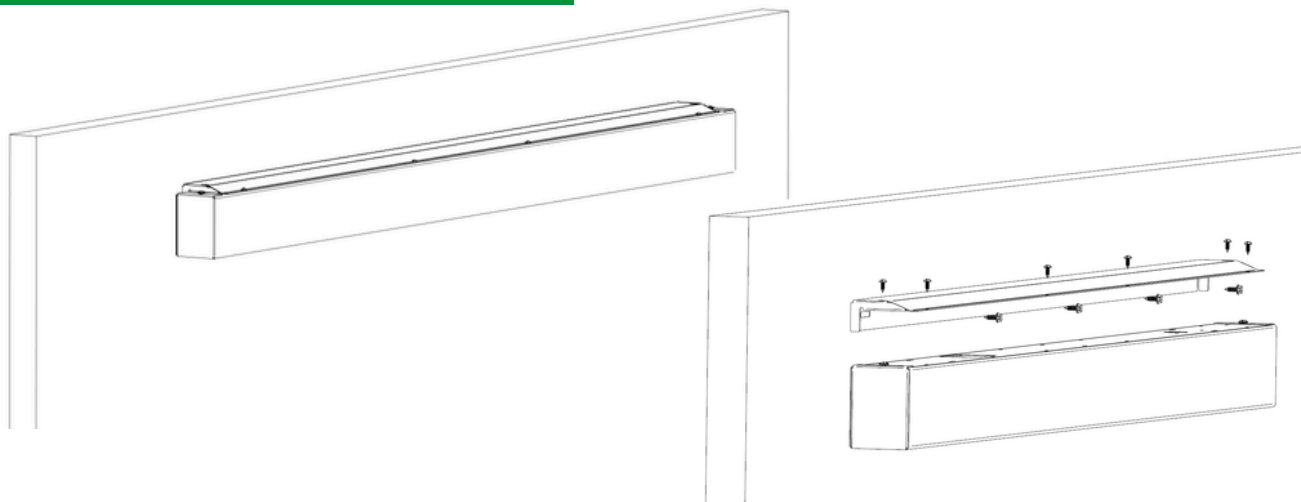


**CUSTOM EDGE AVAILABLE**

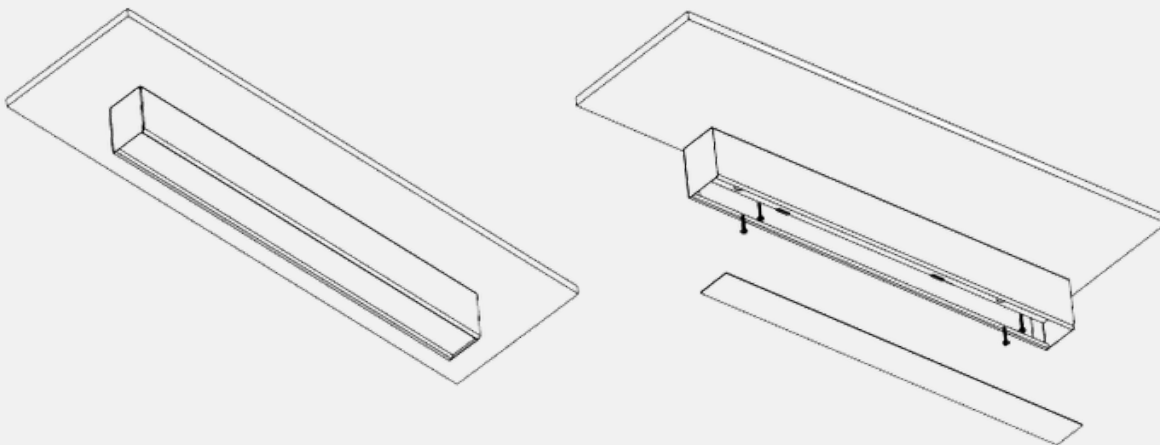
## SURFACE

- Nominal Lengths: 2', 3', 4', 6,' and 8'
- Widths: 2.5", 4", 6" or custom
- Power: Low, Medium, and High; Custom options available (consult factory)
- Field Selectable CCT: 3000K, 3500K, or 4000K
- Tuneable White 2700K-6500K (Min QTY Applies)
- Standard 0-10V, Optional Dim to Dark
- Standard 80 CRI, Optional 90 CRI
- Flush snap-in lens option for acrylic lens, continuous roll lens, or continuous roll lens with glare control

## WALL



## CEILING



# COMPONENTS

## GUIDE FOR LAYOUT & ORDERING

COMPONENT	WIDTH	LENGTH	R	C	S
Base Module	2.5"/4"/6"/Custom	2'/3'/4'/6'/8'	X	X	X
Expansion Module	2.5"/4"/6"/Custom	11"/22"	X	X	X
Corner Module	2.5"/4"/6"/Custom	6.75"/13.125"/24.5"	X	X	X
Adjustable Angle Module	2.5"/4"/6"/Custom	12" Each Arm	X	X	
T- Module	2.5"/4"/6"/Custom	22.88"x11.44"	X	X	X
Cross Module	2.5"/4"/6"/Custom	22.88"x22.88"	X	X	X
Custom Angle Module	2.5"/4"/6"/Custom	11.44"x11.44"	X	X	X
Joiner	2.5"/4"/6"/Custom	3"/6"	X	X	X
Wall Hanging Bracket Set	2.5"/4"/6"/Custom	5"/2'/3'/4'/6'	X		
Base Module Bracket	2.5"/4"/6"/Custom	ONE SIZE	X		
Skirt Base Module	2.5"/4"/6"/Custom	2'/3'/4'/6'	X		
Skirt Expansion Module	2.5"/4"/6"/Custom	ONE SIZE	X		
Skirt Corner Unit Inner	2.5"/4"/6"/Custom	6.75"	X		
Skirt Corner Unit Outer	2.5"/4"/6"/Custom	6.75"	X		
Cove Bed	2.5"	2'/3'/4'/6'/8'		X	
Cove Edge Straight	ONE SIZE	2'/3'/4'/6'/8'		X	
Cove Edge Knife	ONE SIZE	2'/3'/4'/6'/8'		X	
Cove Edge Custom	ONE SIZE	2'/3'/4'/6'/8'		X	
Cove Bed Inner Corner	ONE SIZE	24"		X	
Cove Bed Outer Corner	ONE SIZE	24"		X	
Cove Corner Edge Straight	ONE SIZE	24"		X	
Cove Corner Edge Knife	ONE SIZE	24"		X	
Cove Corner Edge Custom	ONE SIZE	24"		X	
Surface/Wall Mount Bracket	ONE SIZE	2'/3'/4'/6'			X
Spackle Flange	ONE SIZE	2'/3'/4'/6'	X		
Flat Flange	ONE SIZE	2'/3'/4'/6'	X		
Lift & Shift Lens	2.5"/4"/6"/Custom	2'/3'/4'/6'	X		X
Snap-on Lens	2.5"/4"/6"/Custom	2'/3'/4'/6'	X	X	X
Ceiling Clamp	ONE SIZE	ONE SIZE	X		
T-Bar Clip	ONE SIZE	ONE SIZE	X		
End Cap No Flange Lift & Shift	2.5"/4"/6"/Custom	ONE SIZE	X		X
End Cap No Flange Snap-on	2.5"/4"/6"/Custom	ONE SIZE	X	X	X
End Cap Spackle Flange	2.5"/4"/6"/Custom	ONE SIZE	X		
End Cap Visible Flange	2.5"/4"/6"/Custom	ONE SIZE	X		
End Cap Spackle Flange Adjustable	2.5"/4"/6"/Custom	ONE SIZE	X		
End Cap Visible Flange Adjustable	2.5"/4"/6"/Custom	ONE SIZE	X		

**R --> RECESSED**

**C --> COVE**

**S --> SURFACE**



**PROUDLY ENGINEERED AND  
BUILT IN THE  SINCE 1957.**

**LAMARLED.COM**

 **888.66.LAMAR (52627)**

 **631.777.7700**

 **516.333.7695**

 **SALES@LAMARLED.COM**



**LAMAR LED**  
1150 MOTOR PKWY  
CENTRAL ISLIP, NY 11722



**SCAN TO LEARN  
MORE ABOUT LLS**

